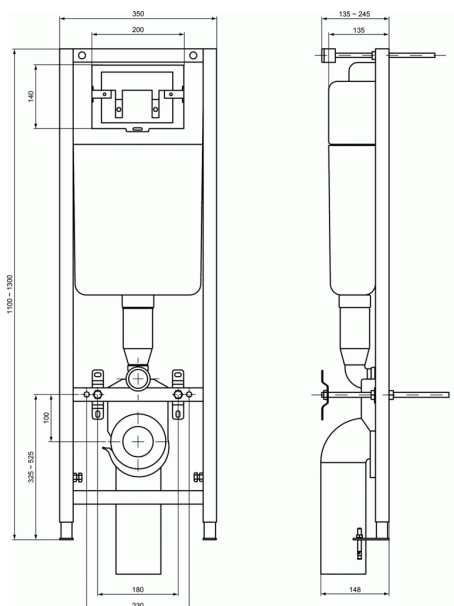


## ECO SYSTEMS

### Wall mounted solid mounting frame



#### Wall mounted solid mounting frame

Suitable to be used with wall mounted WC bowls  
 Wall and Floor fixed - suitable for solid walls  
 Dual flushing built-in cistern 6/3 L  
 Anti-condensation covering, With flush pipe  
 Stop angle valve G1/2", top inlet water supply  
 With PE-waste pipe and fixing clamps  
 Possibility for flush volume adjustment - from 6/3 L to 4,5/3 L  
 Pack size 160x1100x385 mm  
 20 Pcs on a 80x120 cm pallet

For assembly with (has to be ordered separately):

- Chrome plated Dual flush control plate (Rectangular)
- Mat Chrome plated Dual flush control plate (Rectangular)
- White Dual flush control plate (Rectangular)
- Chrome plated Dual flush control plate (Rounded)

Necessary equipment:

- Dual flush control plate (Rectangular) (W3708xx)
- Dual flush control plate (Rounded) (W3709AA)

Recommended equipment:

- Protection/anti noise kit for wall mounted WC bowl (T604900)

#### FINISHES\*



67

\* 67 = Neutral

#### KEY FEATURES & BENEFITS

